



Contents

Caution	1
Specifications	2
Dimensional Drawing	3
Components/Setup	4
Operation	5



Ensure no obstacles are in the desk's path. Ensure the tabletop is not touching any walls. Ensure all cords are appropriate length to accommodate the change in height.



Warning
Pinch Point
Keep hands and fingers clear.



Keep children away from electric height-adjustable desks, control units, and handsets. There is a risk of injury and electric shock.



Keep all electrical components away from liquids.



Do not sit or stand on the desk frame. Do not crawl or lie under the desk frame.



Do not place any objects taller than 20" underneath the desk.



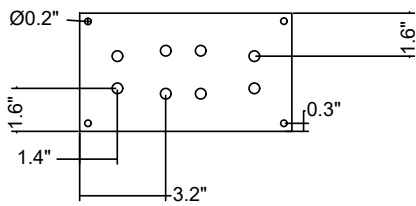
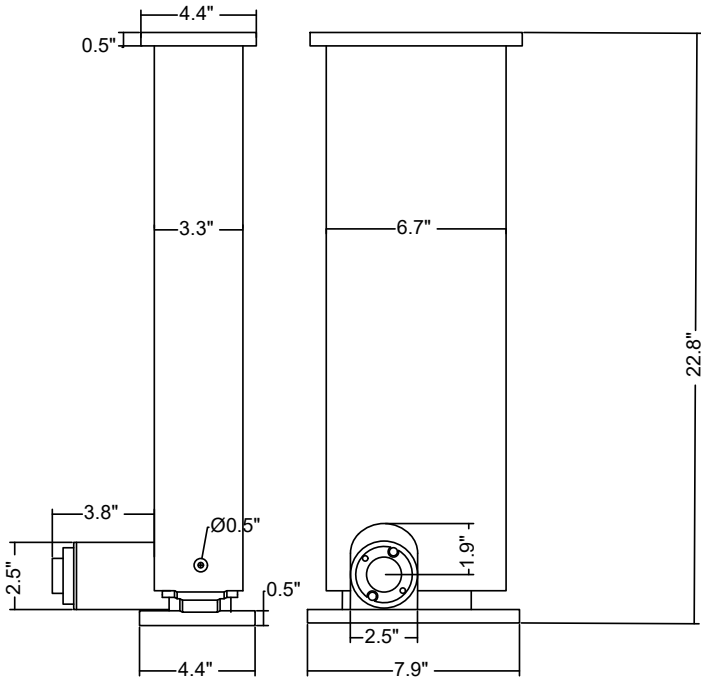
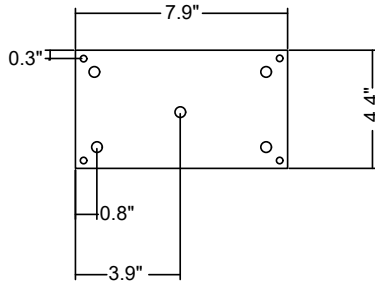
During the Reset Procedure, the desk will retract **7mm below the lowest normal operating height**, ensure no obstacles impede this motion of travel.

Input Voltage	120 VAC, 60 Hz
Output Voltage	24 VDC
Stroke	16"
Weight Capacity	440lbs
Speed	0.5"/sec
Height Range	22.8" - 37.9" (without tabletop)
Duty Cycle	10% Max. 2 mins on, 18 mins off
Material	Aluminum Alloy
IP Rating	IP43

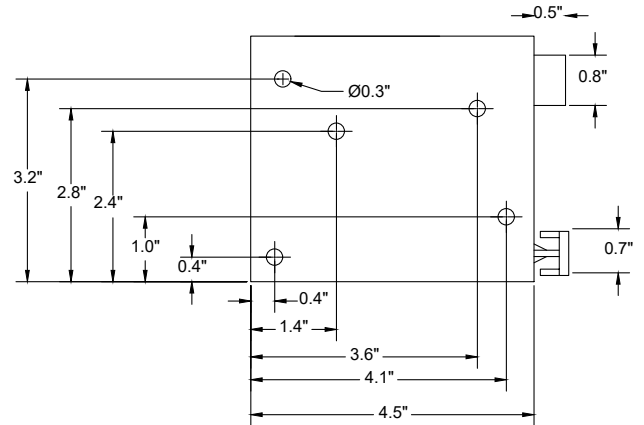
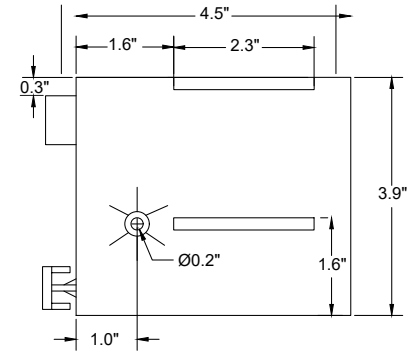
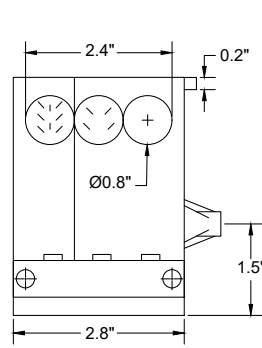
Feature	Description
Soft Start and Stop	The tablelift will accelerate to maximum speed and decelerate to a stop to ensure smooth travel.

Dimensional Drawing

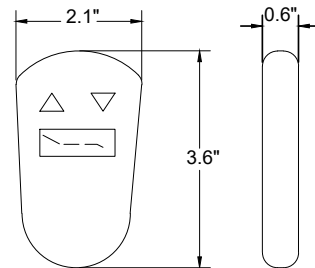
Leg



Control Box



Remote



1 Lifting Column

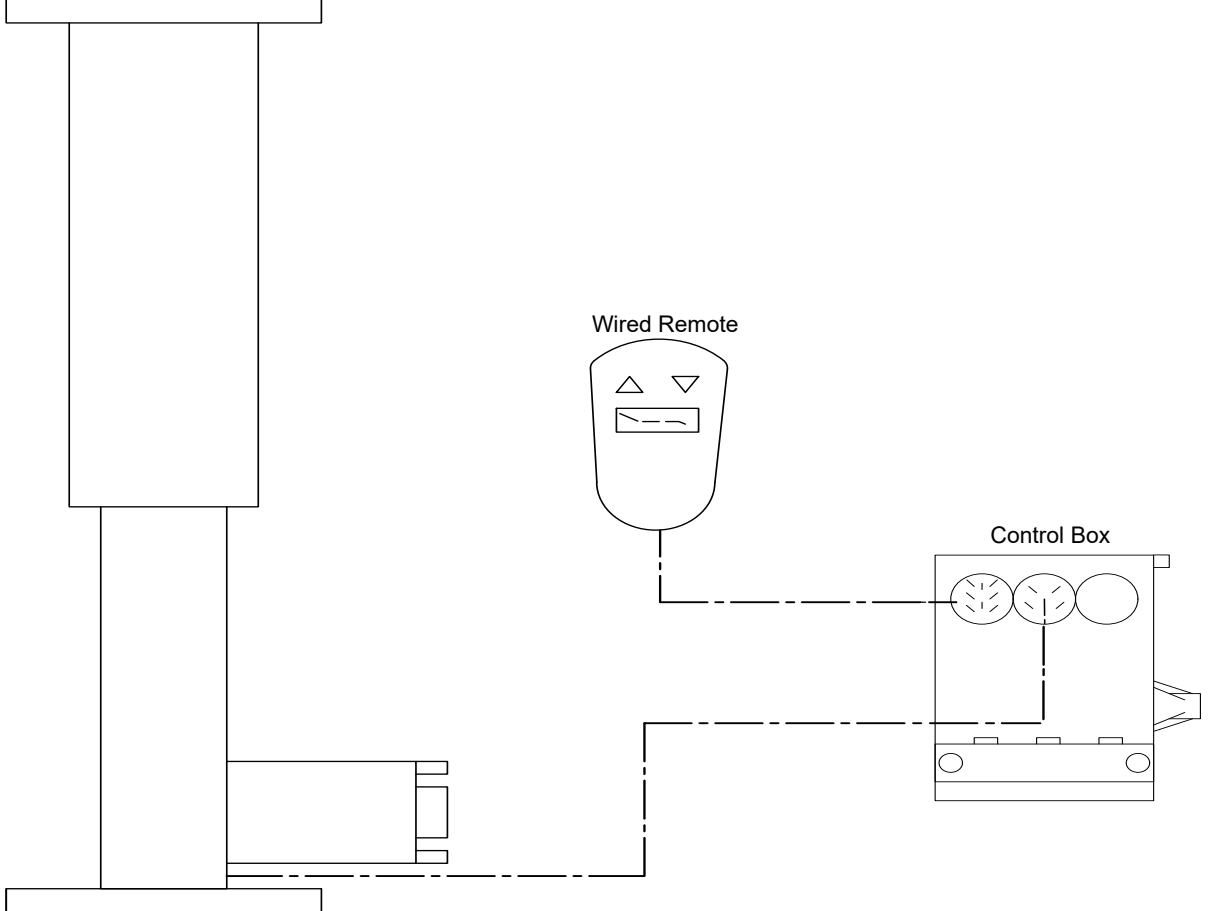


Control Box and Remote



Setup

FLT-03-2-1 LIFTING COLUMN



Once the table lift is installed, use the wired remote for full up and down motion control. The momentary buttons require the user to press and hold the button for both up and down control. Once the button is released, the FLT-03-2-1 will stop moving.



Have any queries? Our expert engineers are here to help!



Progressivedesk.com



1-800-828-9414



sales@progressivedesk.com